

TR Series Volumetric Troffers

INSTALLATION INSTRUCTIONS

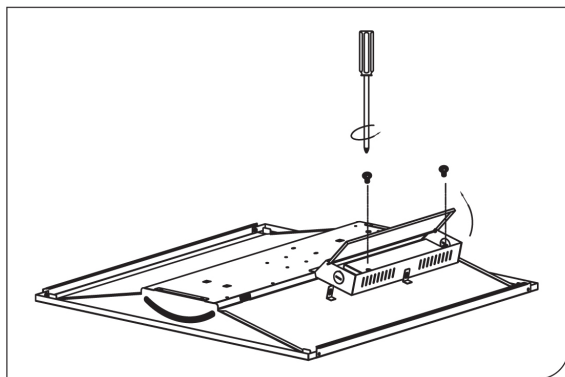
for all TR A9 Series Products



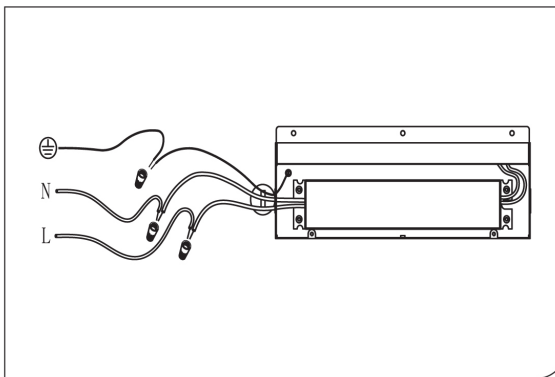
WARNING
RISK OF ELECTRICAL SHOCK
IMPORTANT SAFEGUARDS

READ AND FOLLOW ALL SAFETY INSTRUCTIONS.

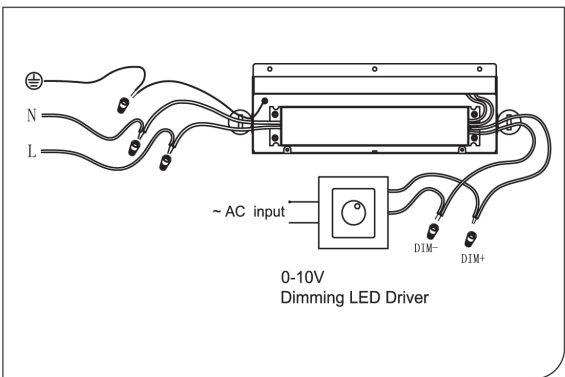
To ensure safety and rated lifespan, this product must be installed according to these instructions by qualified electrician only. Do not use this equipment for other than the intended use.



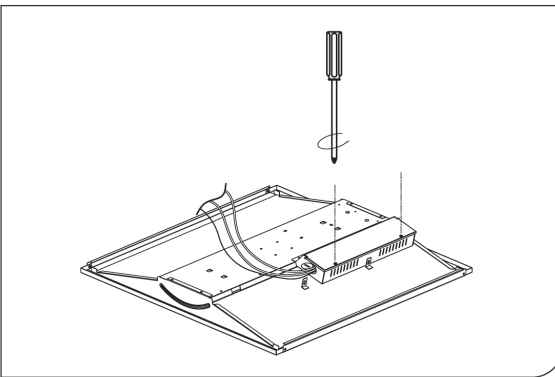
1. Open cover to power supply enclosure.



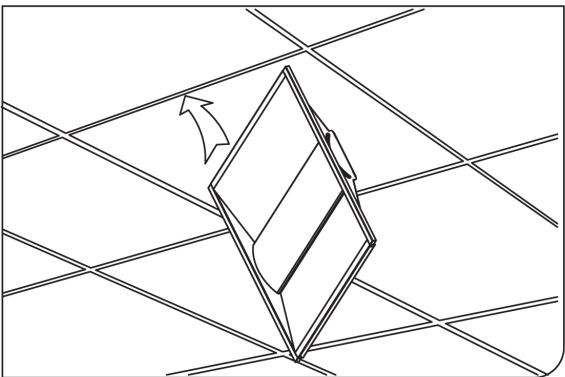
2. With AC circuit power off, connect electric wires as shown using UL approved connectors.



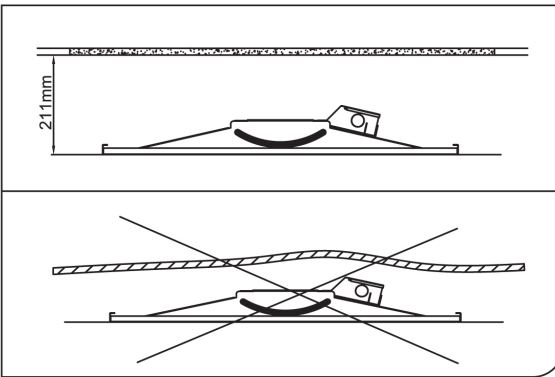
3. If dimming option is being used, connect wires as shown using UL approved connectors.



4. Ensure that all electrical wire connections are secure. Close and secure enclosure cover.



5. Install TR luminaire in ceiling and secure per applicable building codes. Restore AC power after installation is complete.



Note: This luminaire is not intended for use in applications where contact with insulation will occur.



WARNING:
 Risk of fire. Turn off power before installation.

Risk of electric shock. Installation should be performed by qualified electrician only.

The product is for use indoors in dry or damp location only.

If this product exhibits irregular operation (buzzing, flicker, detectable heat or odor) turn off power immediately and contact a qualified electrician.