

# E Tech LED Flat Panel Series

## Installation Instructions

For installation of all P-14 / 22 / 24 models.



### WARNING

#### RISK OF ELECTRICAL SHOCK

#### IMPORTANT SAFEGUARDS

#### READ AND FOLLOW ALL SAFETY INSTRUCTIONS.

To ensure safety and rated lifespan, this product must be installed according to these instructions by qualified persons only.

Do not use this equipment for other than the intended use.



LED Recessed-Mounted Luminaires Type IC

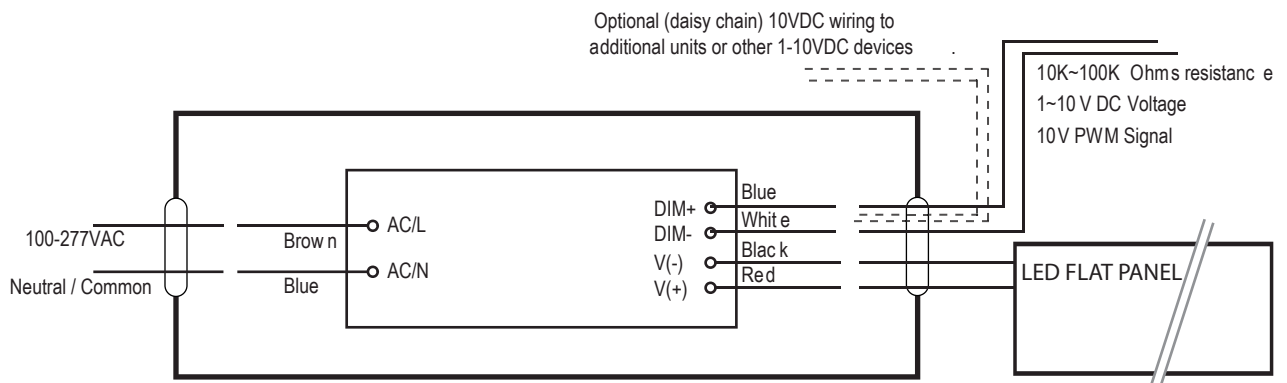
### Installation Instructions

1. Disconnect electrical power to luminaire circuit.
2. Ensure that ceiling mounting system is sufficient to support the total weight of this luminaire.
3. Locate the power supply enclosure on the top side of luminaire. Place UL approved 1/2 in. cable clamps or strain relief devices in both openings of enclosure.
4. Place luminaire into ceiling mounting system.
5. Using wire nuts or other UL approved connectors, make wire connections as shown in wiring diagram below.
6. Tighten cable clamps to secure wires.
8. Depending on the geographic location of installation and or local building codes, additional means of securing luminaire to the ceiling structure and or building may be required.
9. Reconnect electrical power to luminaire fixture.

### WARNINGS:

1. **WARNING** - Risk of fire or electrical shock. Installation of this product requires knowledge of luminaires electrical systems. If not qualified, do not attempt installation.
2. Risk of electric shock - Use in dry location only.
3. Risk of electric shock - Use supplied power supply only. Do not use any other power supply or related devices.
4. No construction changes of the luminaire are permitted, except in accomplishing the wiring of the luminaire as diagramed herein.
5. This luminaire is UL listed as Type IC and is suitable for insulation contact when installed as directed without alterations or construction changes to the luminaire.
6. This product should be installed according to NED 410.16C or other codes in effect for the installation location.

### Wiring Installation Diagram



**eTech LED LLC**

2559 Badger Ave

Oshkosh WI 54904

920 - 267 6109

[www.eteched.com](http://www.eteched.com)