

FASTFIT™

Ballast Compatible / Line Voltage
LED A2 Series - T8 Ubend

FASTFIT™ A2 UBendTube INSTALLATION INSTRUCTIONS

For installation of ETech LED A2 Series FASTFIT
UBend models:

1. Disconnect electrical power to luminaire (fixture).
2. Remove existing lamps and dispose of properly.
3. Inspect existing sockets to ensure that sockets are G13 - 2 pin, and that they are intact and undamaged.
4. If this tube is being used with existing ballast proceed to step 8.
5. If this tube is being installed with the existing ballast removed and line voltage connected directly to tube proceed with step 6.
6. Remove existing ballast and dispose of properly.
7. Wire 100-277VAC line voltage circuit as shown in Wiring Diagram 1 below.
8. Adhere the supplied retrofit warning label to a visible location on the luminaire enclosure when the fixture is rewired for line voltage usage.
9. Confirm that existing ballast is included on the Approved Tested Ballast Type list.
10. Verify date stamp on the ballast. If over 5 years old, it is recommended that you replace the ballast or go to line voltage. It is advisable to test ballast compatibility before beginning mass installation.
11. Insert FASTFIT tube into G13 sockets.
12. Reconnect electrical power to luminaire.



WARNING

RISK OF ELECTRICAL SHOCK IMPORTANT SAFEGUARDS

READ AND FOLLOW ALL SAFETY INSTRUCTIONS.

This lamp is ETL tested and certified to UL1993 standards for installation in existing luminaires using G13 2-pin sockets. To ensure safety and rated lifespan, this product must be installed according to these instructions.

Do not use this equipment for other than the intended use.

DANGER - Risk of shock- Disconnect power before installation.

WARNING- Risk of fire. Use only in place of fluorescent lamps.

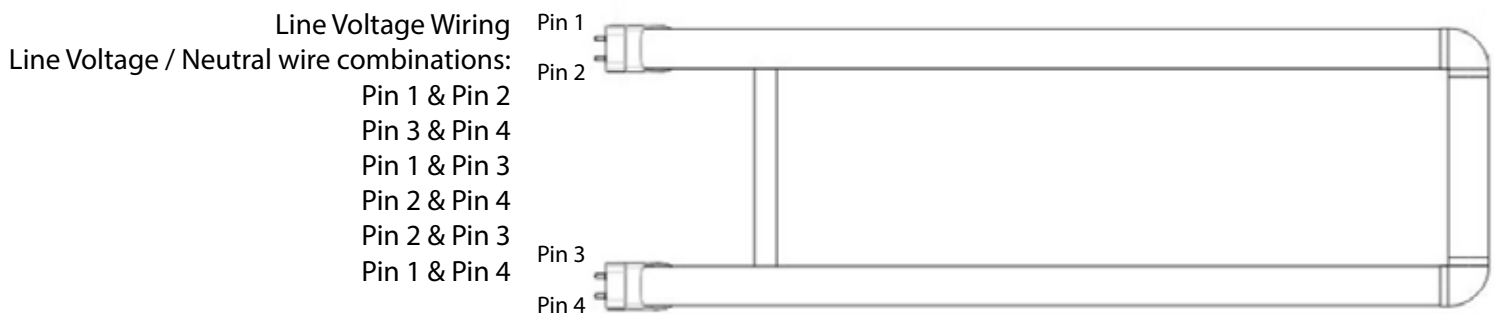
CAUTION - If the lamp or luminaire operates improperly (buzzing, flickering, etc.), turn off power, remove lamp from luminaire and contact qualified electrician.

WARNING - This lamp is for use in indoor / damp locations only. Not suitable for wet location.

WARNING - This lamp is not intended for use with emergency exists.

WARNING - This lamp is not to be used with light dimming systems.

Wiring Diagram 1



eTech LED, LLC

2559 Badger Ave
Oshkosh WI 54904
(920) 267-6109

www.etchled.com