

# HBR-A Series

## LED High Bay Luminaire



### SPECIFICATION FEATURES & BENEFITS

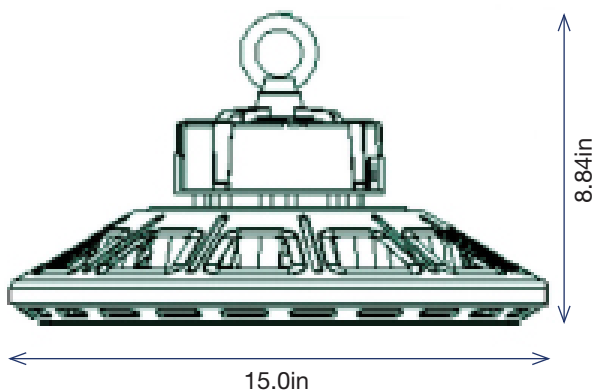
- ▶ High efficiency retrofit for HID and fluorescent luminaires in all commercial and industrial medium and high bay applications.
- ▶ IP 65 sealed housing for use in any indoor or outdoor location.
- ▶ Anodized aluminum construction and polycarbonate optics for durable, maintenance free operation in industrial areas.
- ▶ 0-10VDC dimming standard for easy integration and control with stand alone or networked control.



Model	HBR-A21-80	HBR-A21-100	HBR-A21-150	HBR-A21-200
Nominal Wattage:	80W	100W	150W	200W
Nominal Lumens:	10,800	13,500	20,250	27,000
Luminaire Efficacy:	135Lm/W			
Color Temp. Options:	4000K / 5000K			
LED Type:	Nichia SMD			
Ingress Protection:	IP65			
Construction:	Matte Black Anodized Aluminum / Polycarbonate			
Operation Temp:	-30°C to 50°C			
L70 Life Span:	>100,000 hrs.			
Power Supply:	Meanwell			
Voltage Options:	100-277VAC / 200-480VAC			
Color Consistency:	4 Step MacAdam			
Dimming:	0-10VDC Standard			
Optic Beam Angle:	120°			
CRI:	≥70			
Power Factor:	≥0.90			
THD:	≤15%			
US Compliance:	UL / cUL / RoHS			
Limited Warranty:	Standard 5-Year Limited Manufacturer's Warranty / Optional 10-Year Limited Warranty			

Notes: All values nominal.

## HBR-A Series LED High Bay Luminaire



Model	N.W(kg)	G.W(kg)	Carton Size(mm)	20# Container	40GP Container	40HC Container
80W - 150W	4.5	5	435*435*240mm	585pcs	1215pcs	1485pcs
200W	5	5.5				

PART NUMBER SPECIFICATION					
Model	Wattage	Color Temp. (CCT)	Beam Angle	Voltage	Ingress Rating
HBR-A21	-	-	- 120	-	- IP65
HBR-A21	80W 100W 150W 200W	40 (4000K) 50 (5000K)	120 (120 deg.)	120277 (100-277VAC)  277480 (200-480VAC)	IP65

PROJECT SPECIFICATION		
Project:	Part Numbers:	Quantity:
Approved:		
Date:		